



# LC424D

ab lindec

Art. no. LC424D

DIESEL EDGING TROWEL

**NEW  
MODEL!**



CE

## New Diesel walk-behind trowel

The new AB Lindec® LC424D (diesel) walk behind trowel are equipped with a 4,6 Hp Hatz Diesel engine (1B20) which powers a 5 blade single rotor for better stability and finish performance. As on all AB Lindec® trowels, the spider arms containing seals, to prevent concrete and concrete water get into the spider cross (less maintenance). It has edging guard ring and foldable handle for easier transporting and cheaper freight costs.

The machine is CE certified and follows all safety requirements of Machine Directives according to EN 953:1997 and ISO 13857:2008.



**ab lindec**

Box 5, 421 21 V.Frölunda, Sweden, Tfn +46-31-298810,  
Fax +46-31-298876, export@lindec.se, www.lindec.com

# LC424D ab lindec



**Designed and made in EU**



### Strong rotating guard ring

The guard ring makes it possible to trowel close to walls and pillars. A soft strip on the ring protect the surface against damages.

Basic data	LC424D
Engine	Hatz 1B20 4,6 Hk
Dimensions (L x W x H)	102 x 61 x 70 cm
Panning Path Width Ø	61 cm
Trowel blades	5-bladed spider
Rpm	60 - 140 rpm
Weight	78 kg

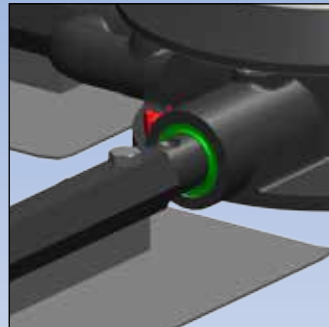
### Accessories

Trowel pan, 60 cm	art. no: 11628-5
Composite pan	art. no: 11664
Trowel blades	art. no: 11508
Plastic trowel blades	art. no: 11573
Lifting strap, 0.7 m	art. no: LC900842



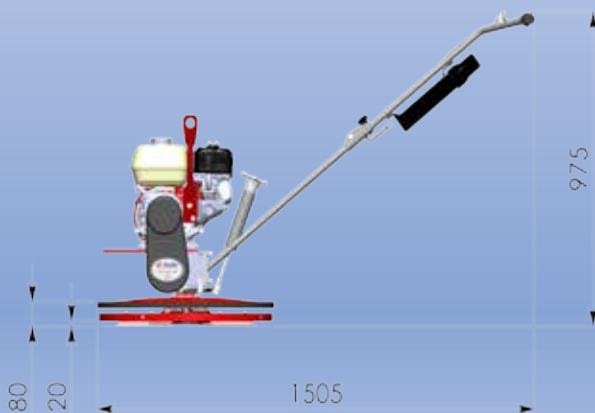
### Foldable handle

Foldable handle for easier transporting and cheaper freight costs.



### Special designed spider arms

Specially produced spider arms contains seal to avoid concrete water to get into the spider cross, to avoid unnecessarily maintenance and prolonged lifetime.



*ab lindec® endeavours to provide correct information about technical properties and handling of its products. However, while ab lindec® has no control over the way in which the products are mixed and laid, or the conditions under which they set, ab lindec® can in no way be held responsible. ab lindec® is only responsible for the quality of the products at the time of delivery.*