



LC436D

ab lindec

Art. no. LC436D

**DIESEL EDGING WALK BEHIND
TROWEL WITH FOLDABLE HANDLE**

NEW!



Machine on the picture above is extra is equipped with transportation wheels.

New Diesel walk-behind trowel

The new AB Lindec® LC436D (diesel) walk behind trowel are equipped with a 6,8 Hp Hatz Diesel engine (1B30) which powers a 5 blade single rotor for better stability and better finish performance. As on all AB Lindec® trowels, the spiderarms containing seals, to prevent concrete and concrete water get into the spider cross (less maintenance). It goes with a foldable handle for easier transport and cheaper freight charges. It is also possible to "tilt up" the machine, while supporting on the handle, for quick blade replacement and maintenance. The AB Lindec® LC436D can be used as edging walk behind trowel or a non edging walker, all depending on what trowel pan is used.

The machine is CE certified and follows all safety requirements of Machine Directives according to EN 953:1997 and ISO 13857:2008.

Transportation wheels is also available as extra accessory (#LC436220).



ab lindec®

Box 5,
Fax

421 21 V.Frölunda,
+46-31-298876,

Sweden,
export@lindec.se,

Tfn +46-31-298810,
www.lindec.com

LC436D ab lindec



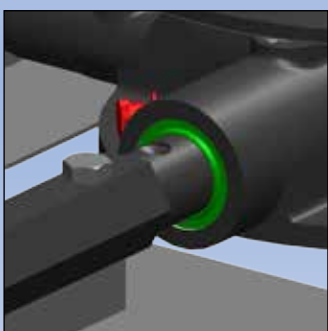
Easy to lift

The machine is equipped with two lifting points, which makes it easy to handle.



Stand or tilt up the machine

For easy maintenance and quick change of blades and pans.



Special designed spider arms

Specially produced spider arms contain seals to avoid concrete water from getting into the spider cross, to avoid unnecessary maintenance and prolonged lifetime.



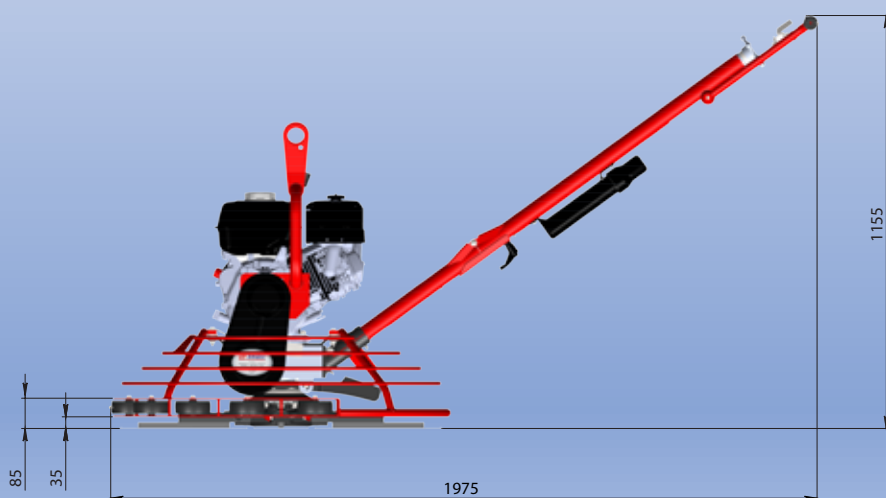
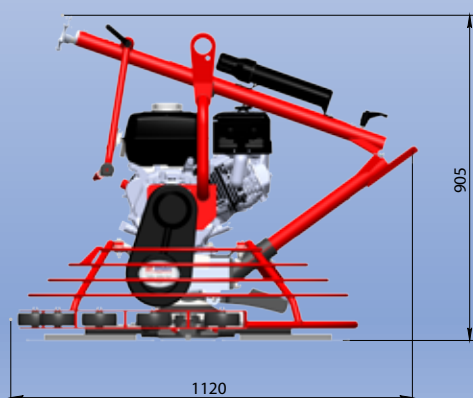
Easy to move

In 30 seconds the wheels are easily unfolded for smooth transport. The transportation wheels are an accessory and also fit other walk-behind machines.

Basic data		LC436D
Rotor Ø blade		92 cm/36"
Number of blades		5
Diameter of guard ring		95 cm/37"
Length, folded		112 cm/44"
Length, unfolded		198 cm/78"
Height to handle		116 cm/45"
Height to lifting hook		90 cm/35"
RPM	min.	40 rev/min
	max.	124 rev/min
Weight		117 kg / 258 lb
Type of trowel arms		Standard duty
Type of spider		Standard duty
Blade pitch control		Fine
Engine:		Hatz 1B30, 6,8 hp

Accessories

Finish blades	art. no: 11512
Combination blades	art. no: 11562
Plastic blades	art. no: 11575
Trowel pan	art. no: 11619-5, 94 cm/36"
Composite pan	art. no: 11664
Transporting wheels	art. no: LC436220
Lifting strap, 0.7 m	art. no: LC900852



ab lindec® endeavours to provide correct information about technical properties and handling of its products. However, while ab lindec® has no control over the way in which the products are mixed and laid, or the conditions under which they set, ab lindec® can in no way be held responsible. ab lindec® is only responsible for the quality of the products at the time of delivery.