



**LCFS** *ab lindec*  
LINDEC® FLOAT SCREED

Art. no: LCFS  
Page 1 (2)  
[page 109]



CE

## Easy screeding

Precision engineered, lightweight float screed for single operator fast strike-off of concrete. Fast and easy to use, this high-frequency screed provides uniform distribution throughout the length of the blade, enhancing structural integrity of the concrete through consolidation.

First float screed on the market with non-vibration handles as standard.



**ab lindec**®

Box 5, 421 21 V.Frölunda, Sweden, Tfn +46-31-298810,  
Fax +46-31-298876, export@lindec.se, www.lindec.com



### Non vibrating and adjustable handle

These handles provide more ergonomic work and are more user friendly, with complete throttle and kill switch control.



### Handle

Special designed handle for easy and quick lifts.

Basic data	LCFS
Engine	1.3 Hp Honda GX35
Handles	Non vibrating and adjustable
Hand-arm vibration	9.5 m/s <sup>2</sup>
Sound power level	114 dB (A) Determined according to EN 12649:2008 and EN ISO 3744:2010
Emission sound pressure level	101 dB (A) Determined according to EN 12649:2008 and EN ISO 11201:2010
Weight	9 kg, less blade
<b>Blades</b>	
Article no: 11155	2 m / 4 kg
Article no: 11156	3 m / 5 kg
Article no: 11157	4 m / 6 kg
Article no: 11158	5 m / 9 kg



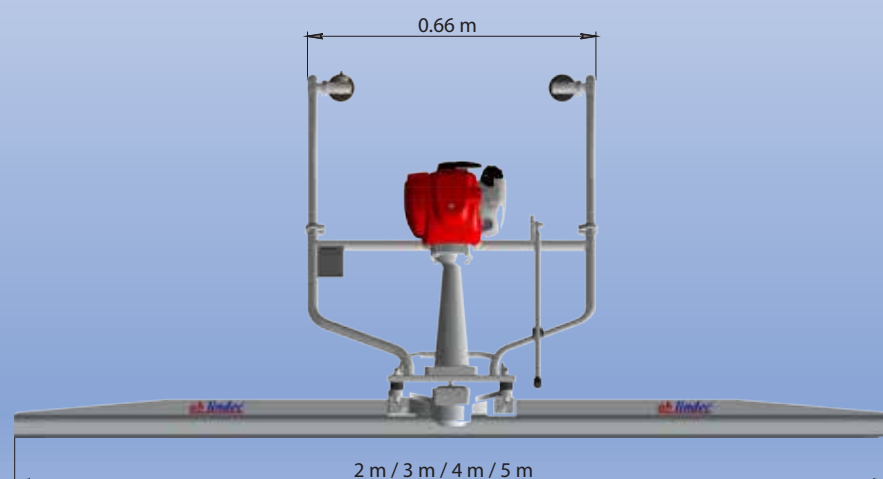
### Screeding

Work across the levelled concrete in both directions to assure the best possible flatness.



### Security

For even better result, use AB Lindec® Float Scream in one direction and an channel float in the opposite direction.



*ab lindec® endeavours to provide correct information about technical properties and handling of its products. However, while ab lindec® has no control over the way in which the products are mixed and laid, or the conditions under which they set, ab lindec® can in no way be held responsible. ab lindec® is only responsible for the quality of the products at the time of delivery.*