



LCSP

ab lindec
WALK BEHIND SPREADER

Art. no: LCSP
Page 1 (2)
[page 111]



The easy way

Lindec® Walk Behind Spreader enables you to spread quartz, fibre stops, colour and dry shake hardeners evenly over the surface.

Equipped with urethane plastic bearings for better bearing protection and for less wear and repairs as results.





Basic data	LCSP
Machine width	140 cm
Working width	100 cm
Weight	60 kg / 132 lbs
Loading capacity	100 kg / 220 lbs

Foldable handle

Special designed foldable handle to make the machine smaller, during transport and storage.



Hopper

The big hopper can take up to 100 kg of material. Place the bags on the grid, cut open with the special cutter and lift the bag to allow the material to pour into the hopper.



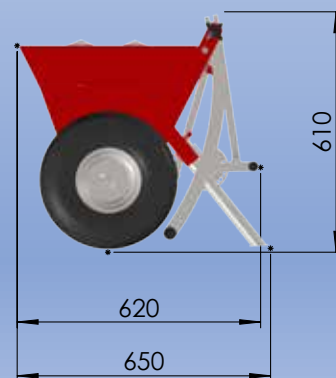
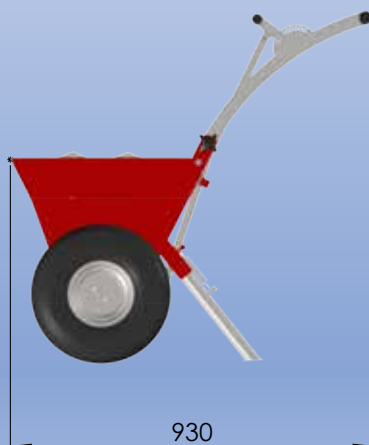
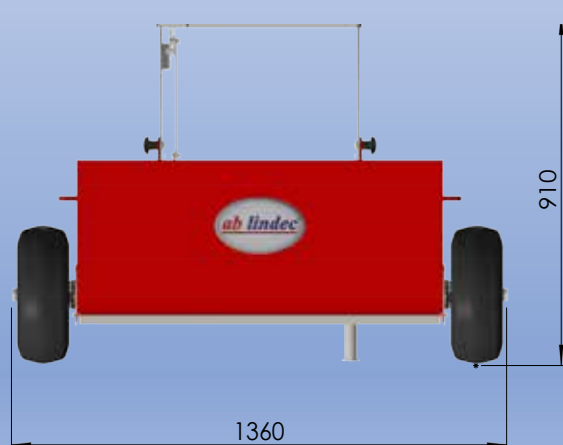
Wide wheels

The wide wheels prevent tire marks on the concrete.



Consumption pitch

Easy adjustable pitch to control the consumption of the material to spread.



ab lindec® endeavours to provide correct information about technical properties and handling of its products. However, while ab lindec® has no control over the way in which the products are mixed and laid, or the conditions under which they set, ab lindec® can in no way be held responsible. ab lindec® is only responsible for the quality of the products at the time of delivery.